

# MEISTERSTÜCK

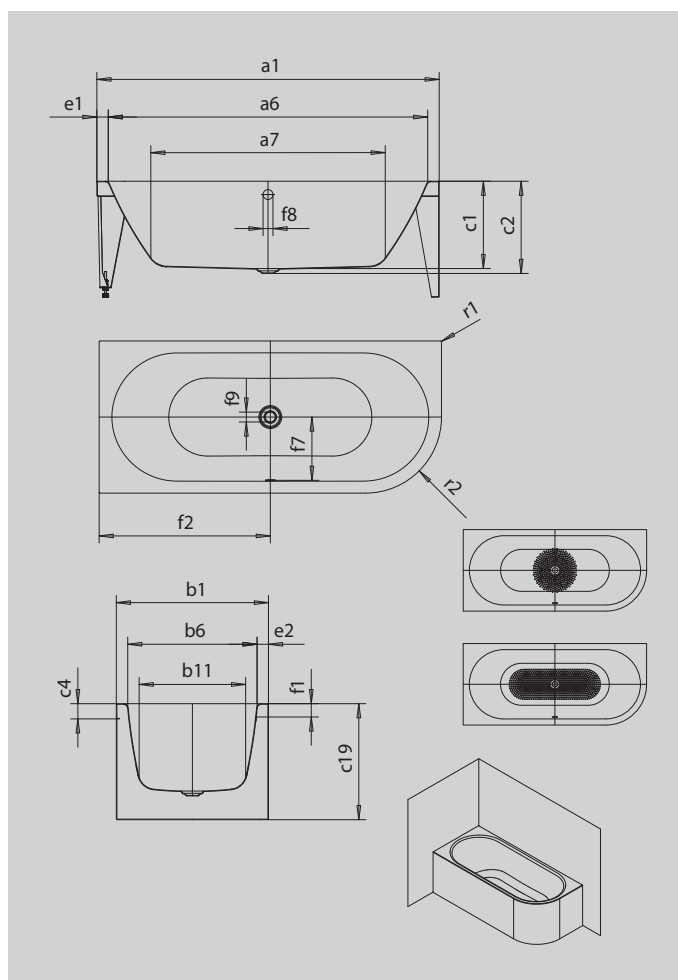
## CENTRO DUO 1 RIGHT

### CORNER INSTALLATION RIGHT (2-SIDED)

- bath made of high-quality steel enamel with enamelled panelling on two sides
- specially designed for corner installation
- pure simplicity and unpretentious elegance are what distinguish these baths
- available as right or left-hand model
- with exclusive easy-clean finish
- enamelled waste cover and overflow knob integrated in the bath design (also available with filling function)
- made of KALDEWEI steel enamel



Similar illustration



Model		1130
External length	a <sub>1</sub>	1700 mm
Internal length (top)	a <sub>6</sub>	1580 mm
Internal length (bottom)	a <sub>7</sub>	1130 mm
External width	b <sub>1</sub>	750 mm
Internal width (top)	b <sub>6</sub>	630 mm
Internal width (bottom)	b <sub>11</sub>	510 mm
Depth inside	c <sub>1</sub>	460 mm
Depth incl. waste hole	c <sub>2</sub>	485 mm
Height of rim	c <sub>4</sub>	80 mm
Height of bath	c <sub>19</sub>	610 mm
Width of rim (foot end; long side)	e <sub>1</sub> , e <sub>2</sub>	60; 60 mm
Distance top edge to centre of overflow hole	f <sub>1</sub>	70 mm
Distance bath edge to centre of waste hole	f <sub>2</sub>	850 mm
Distance centre of waste hole to centre of overflow hole	f <sub>7</sub>	307 mm
Diameter of overflow hole	f <sub>8</sub>	Ø 52 mm
Diameter of waste hole	f <sub>9</sub>	Ø 52 mm
External radius	r <sub>1</sub>	5 mm
External radius	r <sub>2</sub>	375 mm
Water volume		156 l
Waste connection diameter		Ø 40/50
Fill fitting connection		1/2"
Net weight		99 kg
Diameter of anti-slip		Ø 435 mm
Full anti-slip		900 x 300 mm