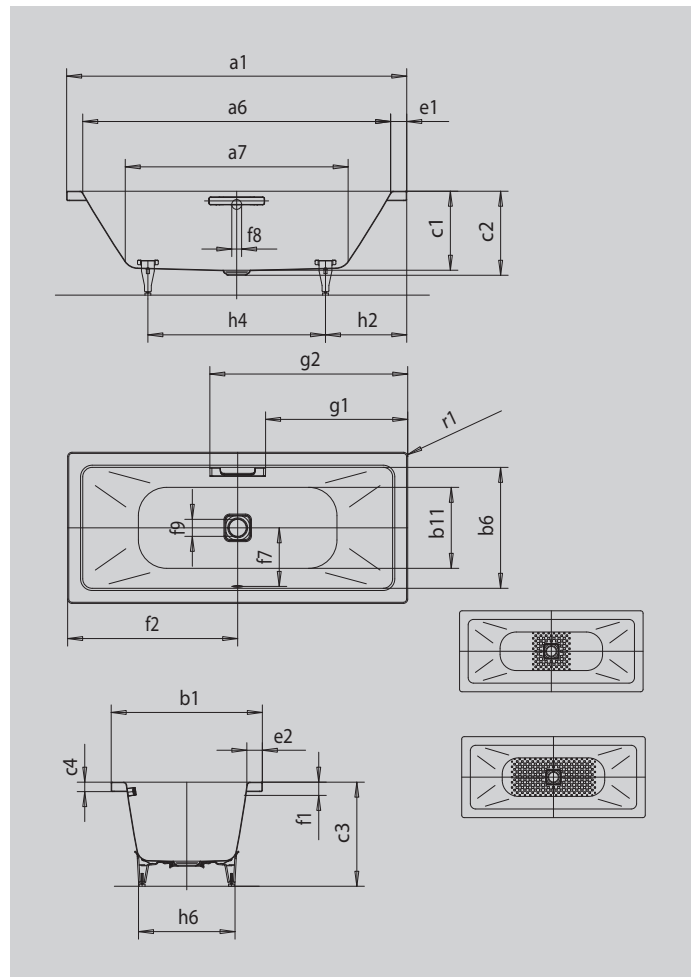


CONODUO

- straightlined, purist design
- enamelled waste cover and overflow knob integrated in the bath design (also available with filling function)
- classic four-cornered model
- bathing with a friend: two identical back rests and centrally positioned waste
- made of KALDEWEI steel enamel
- designed by Sottsass Associati



Similar illustration



| | | |
|--|---------------------------------|--------------|
| Model | | 734 |
| External length | a ₁ | 1900 mm |
| Internal length (top) | a ₆ | 1740 mm |
| Internal length (bottom) | a ₇ | 1280 mm |
| External width | b ₁ | 900 mm |
| Internal width (top) | b ₆ | 740 mm |
| Internal width (bottom) | b ₁₁ | 620 mm |
| Depth inside | c ₁ | 420 mm |
| Depth incl. waste hole | c ₂ | 445 mm |
| Height with feet | c ₃ | 555 - 590 mm |
| Height of rim | c ₄ | 50 mm |
| Width of rim (foot end; long side) | e ₁ ; e ₂ | 80; 80 mm |
| Distance top edge to centre of overflow hole | f ₁ | 70 mm |
| Distance bath edge to centre of waste hole | f ₂ | 950 mm |
| Distance centre of waste hole to centre of overflow hole | f ₇ | 360 mm |
| Diameter of overflow hole | f ₈ | Ø 52 mm |
| Diameter of waste hole | f ₉ | Ø 90 mm |
| Distance bath edge (foot end) to start of grip | g ₁ | 802 mm |
| Distance bath edge (foot end) to end of grip | g ₂ | 1098 mm |
| Distance foot end of bath edge to centre of foot | h ₂ | 570 mm |
| Distance between the feet | h ₄ | 760 mm |
| Width of feet max. | h ₆ | 610 mm |
| External radius | r ₁ | 23 mm |
| Water volume | | 220 l |
| Net weight | | 65 kg |
| Anti-slip | | 500 x 500 mm |
| Full anti-slip | | 980 x 500 mm |