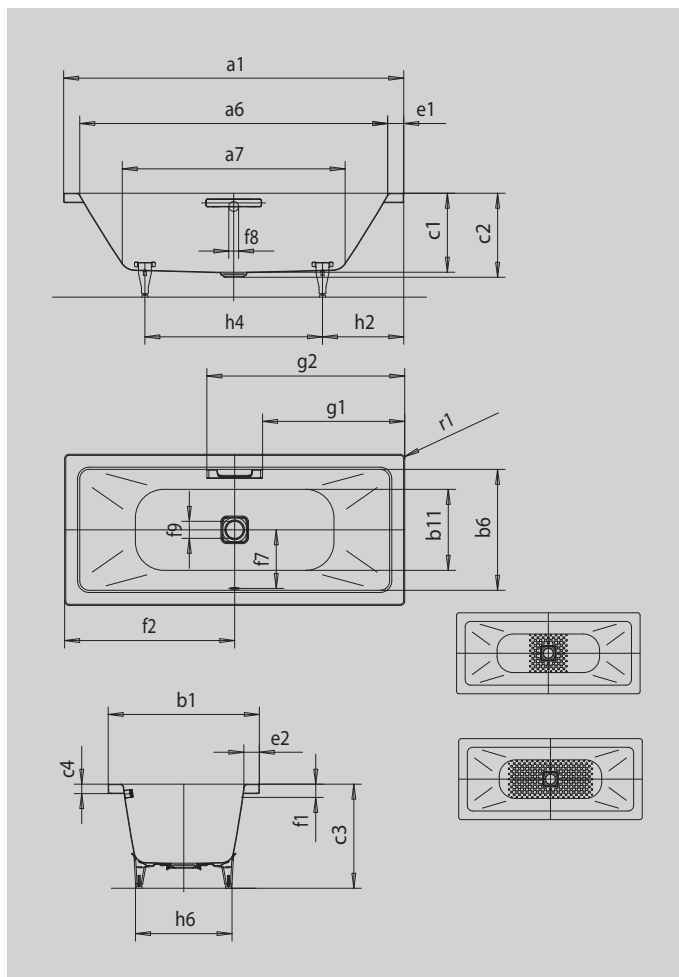


CONODUO

- straightlined, purist design
- enamelled waste cover and overflow knob integrated in the bath design (also available with filling function)
- classic four-cornered model
- bathing with a friend: two identical back rests and centrally positioned waste
- made of KALDEWEI steel enamel
- designed by Sottsass Associati



Similar illustration



Model		733
External length	a ₁	1800 mm
Internal length (top)	a ₆	1640 mm
Internal length (bottom)	a ₇	1180 mm
External width	b ₁	800 mm
Internal width (top)	b ₆	640 mm
Internal width (bottom)	b ₁₁	520 mm
Depth inside	c ₁	420 mm
Depth incl. waste hole	c ₂	445 mm
Height with feet	c ₃	555 - 590 mm
Height of rim	c ₄	50 mm
Width of rim (foot end; long side)	e ₁ ; e ₂	80; 80 mm
Distance top edge to centre of overflow hole	f ₁	70 mm
Distance bath edge to centre of waste hole	f ₂	900 mm
Distance centre of waste hole to centre of overflow hole	f ₇	310 mm
Diameter of overflow hole	f ₈	Ø 52 mm
Diameter of waste hole	f ₉	Ø 90 mm
Distance bath edge (foot end) to start of grip	g ₁	752 mm
Distance bath edge (foot end) to end of grip	g ₂	1048 mm
Distance foot end of bath edge to centre of foot	h ₂	555 mm
Distance between the feet	h ₄	690 mm
Width of feet max.	h ₆	515 mm
External radius	r ₁	23 mm
Water volume		159 l
Net weight		57 kg
Anti-slip		404 x 404 mm
Full anti-slip		884 x 404 mm