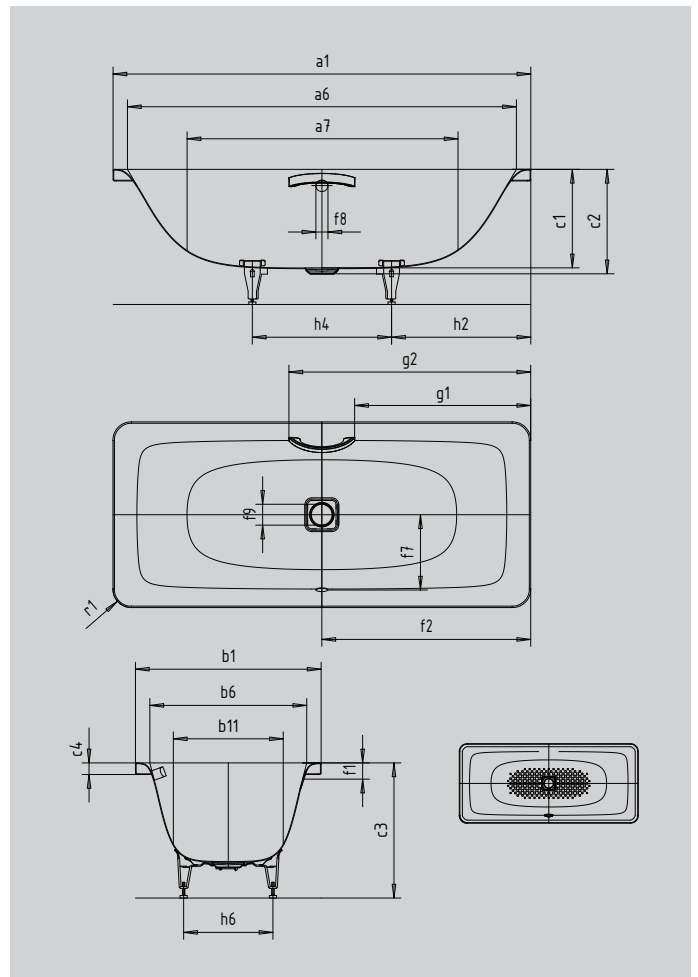


INCAVA

- this bath defines itself by its organically flowing interior
- sensually soft corner radius
- the precise, striking wall surrounds the bath like a picture frame lending it a sculptural character
- also available with grip on one side
- enamelled waste cover and overflow knob integrated in the bath design (also available with filling function)
- bathing with a friend: two identical back rests and centrally positioned waste
- made of KALDEWEI steel enamel
- designed by Anke Salomon



Similar illustration



Model		174
External length	a ₁	1800 mm
Internal length (top)	a ₆	1676 mm
Internal length (bottom)	a ₇	1162 mm
External width	b ₁	800 mm
Internal width (top)	b ₆	676 mm
Internal width (bottom)	b ₁₁	473 mm
Depth inside	c ₁	425 mm
Depth incl. waste hole	c ₂	450 mm
Height with feet	c ₃	570 - 605 mm
Height of rim	c ₄	50 mm
Distance top edge to centre of overflow hole	f ₁	70 mm
Distance bath edge to centre of waste hole	f ₂	900 mm
Distance centre of waste hole to centre of overflow hole	f ₇	320 mm
Diameter of overflow hole	f ₈	Ø 52 mm
Diameter of waste hole	f ₉	Ø 90 mm
Distance bath edge (foot end) to start of grip	g ₁	758 mm
Distance bath edge (foot end) to end of grip	g ₂	1042 mm
Distance foot end of bath edge to centre of foot	h ₂	595 mm
Distance between the feet	h ₄	610 mm
Width of feet max.	h ₆	360 mm
External radius	r ₁	80 mm
Water volume		140 l
Net weight		53 kg
Full anti-slip		828 x 300 mm